

---

# Central Vacuum Unit Vacu PRO

ENG: Installation, Use and Maintenance Instructions





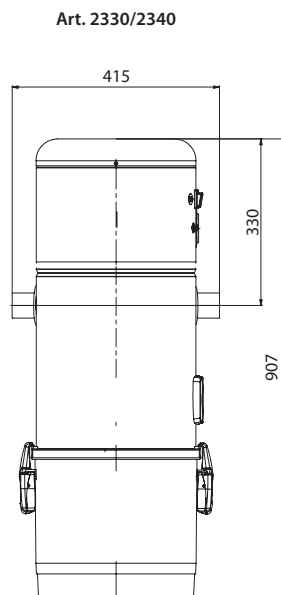
# INDEX

<b>1</b>	<b>TECHNICAL DATA</b>	4
<b>2</b>	<b>AUTHORIZED USE OF THE VACUUM CLEANER</b>	6
<b>3</b>	<b>UNAUTHORIZED USE OF THE VACUUM CLEANER</b>	6
<b>4</b>	<b>SAFETY FEATURES</b>	7
	4.1 Warning	7
	4.2 Protection Degree	8
	4.3 Electrical insulation degree	8
	4.4 Declaration of absence of dangerous substances	8
	4.5 Fixed closure guards safety	8
	4.6 Movable closure guards safety	8
	4.7 Identification plate	9
<b>5</b>	<b>PACKAGE CONTENTS</b>	10
<b>6</b>	<b>INSTALLATION</b>	11
	6.1 Preliminary operations	11
	6.2 Place of installation	11
	6.3 Fixing the vacuum cleaner to the wall	12
	6.4 Connection to the piping network	13
	6.5 Electrical connection	15
	6.6 Using the service socket	16
<b>7</b>	<b>MAINTENANCE</b>	16
	7.1 Programmed routine maintenance	16
	7.2 Cleaning the suction container (cylinder)	16
	7.3 Emptying the dust bin	17
	7.4 Disposal of the filter cartridge	18
<b>8</b>	<b>REPAIRS AND SPARE PARTS</b>	18
	8.1 Intervention criteria	18
	8.2 Recommended spare parts	18
<b>9</b>	<b>THERMAL SWITCH</b>	18
<b>10</b>	<b>TROUBLE SHOOTING</b>	19

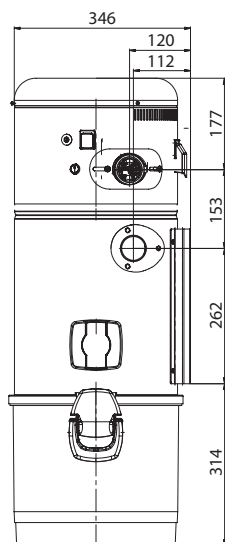
## 1- TECHNICAL DATA

Articolo		VACU PRO	
		2330	2340
Suction coupling	Ø mm	50	50
Air exhaust	Ø mm	50	50
IP Protection Degree	IP	20	20
Power supply	V ac	220-230	220-230
Frequency	Hz	50/60	50/60
Motor power	kW	1,8	1,9
Absorption	A	7,9	8,2
Socket power supply	V dc	12	12
Maximum air flow	m <sup>3</sup> /h	240	257
Dust bin capacity	l	25	25
Air venting		YES	YES
Air exhaust silencer		YES	YES
Weight	kg	10,5	10,5
Sound level	dB(A)	< 70	

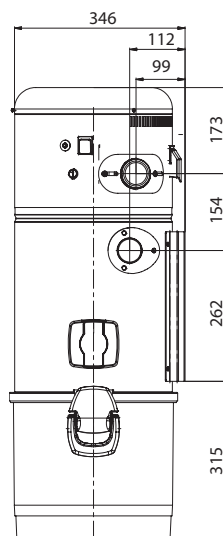
**N. B.:** Levels of nominal noise. The levels can vary according to the environment where the central unit has been installed and the kind of installation

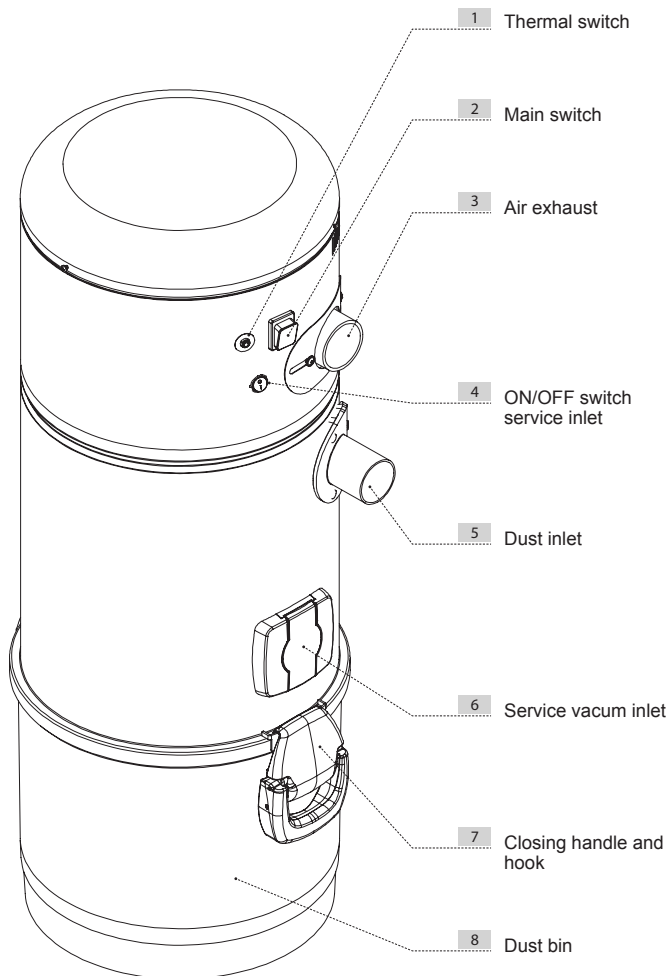


Art. 2330



Art. 2340





## 2 - AUTHORIZED USE OF THE VACUUM CLEANER

The vacuum cleaner model Vacu Pro has been designed exclusively to vacuum clean house dust, very small-size solids and dry materials. The use of the central vacuum cleaner is authorized for household and civil uses, connected to a PVC wall-traced piping network and to a standard home electrical wiring.

**The vacuum cleaner can be installed in domestic dwellings with the following characteristics:**

- Piping network featuring 50-mm diameter pipe
- 220/240 V ac power supply
- Air exhaust conveyed to the outside
- Suitable for a single-operator use
- Suitable for installation in domestic spaces such as store rooms, boiler rooms, garages and balconies.

## 3 - UNAUTHORIZED USE OF THE VACUUM CLEANER

**It is extremely important NOT to use the system in the following circumstances which are considered to be inappropriate and dangerous:**

- Never use the machine for unauthorized purposes.
- Never vacuum clean liquids.
- Do not vacuum clean fabrics, heavy materials, ashes or hot embers.
- Do not suction cement, flour or similar materials, including the construction site dust (lime remains, plaster powder and so on) which may cause the reduction of the vacuumed air with a consequent damage of the motor.

**The system has not been designed to be used in environments with risk of explosion, and therefore:**

- it is forbidden to vacuum clean materials with high explosion risk (gunpowder) or materials which are individually inert but that, once collected and mixed in the dust bin, could provoke dangerous chemical reactions.
- It is absolutely forbidden to use the vacuum cleaner in explosive atmosphere or outside the standard temperature, pressure and humidity levels.
- **Do not vacuum any material which may cause electrostatic charges in the piping system, if not previously communicated to the constructor.**

**Any use of the appliance other than those specified above is forbidden.**

**Any change or modification made to the system in order to vacuum clean a particular type of material must obtain the prior written approval of the manufacturer.**

**The use of the system for purposes other than those for which it was manufactured, represents an irregular condition which can cause damage to the product and seriously compromise the operator's safety.**

## 4 - SAFETY FEATURES

**WARNING:** The manufacturer declines any form of responsibility or guarantee if the purchaser, or anyone in his stead, makes even the slightest modification or adjustment to the purchased product.

The unit has been designed to satisfy at best the present needs of the domestic central vacuum cleaners market, both in terms of quality and operating capacity.

All materials and components used to manufacture this product comply with CE safety regulations.

In compliance with safety regulations detailed in the Machinery Directive 2006/42/CE (transposed into the Italian Legislation by Decree Law 17/10), in the Low Voltage Directive 2006/95/CE, and in the Electromagnetic Compatibility Directive 2004/108/CE, the Vacu Pro system complies with the standard established for electrical appliances for household and similar purposes EN 60335-1 (2008) and with the Regulation C EN 60335-2-2 (2011), specially conceived for vacuum cleaners for household and similar purposes with rated voltage not exceeding 250 V.

**It is recommended to read carefully all the installation, use and maintenance instructions detailed in this manual.**

### 4.1 Warning

- Keep children away from the vacuum cleaner whilst in function. Children should not play with the machine nor with the suction sockets.
- This equipment should not be used by people (including children) with reduced psychic, sensory or mental capacities or by people with no experience nor knowledge of the system, unless they are under the guidance or instructed to use the machine by people responsible for their safety.
- Children must always be supervised to ensure they do not play with the machine.
- Switch off the power supply immediately if:
  - The electric cable is damaged or worn
  - The vacuum cleaner has been exposed to rain or excessive humidity
  - The vacuum cleaner has been knocked or the outer cover has been damaged in any way
  - You think the system requires maintenance or repair
- Wear protective gloves and mask to carry out maintenance, to empty the dust bin or replace and clean the filter.
- Only use original spare parts and accessories.
- Do not use the system without a filter cartridge.
- Do not block the exhaust air pipes or the motor cooling intakes.
- No part of the body should come into contact with the suction accessories.
- Use only one suction socket at a time.
- Do not leave the system switched on when not using it and disconnect it from power supply when the system is not going to be used for a long period of time.

Finally, remind that pictograms or danger and warning signals can be found on those parts of the equipment where, if not strictly followed, potential risky situations may occur.

## 4.2 Protection Degree



IP 44: The appliance features a protection against solid objects having a size exceeding 1 mm and protection against splashes of water (splashes of water from any direction on the cover must not produce dangerous effects).



IP 20: Apparatus protected against solid parts larger than 12 mm but not protected against the infiltration of water.

## 4.3 Electrical insulation degree



CLASS I: The appliance features basic electrical insulation.

Must be connected to the ground circuit through the main electric circuit.



CLASS II: The appliance features double electrical insulation. They don't need a connection to the ground circuit through the main electric circuit.

## 4.4 Declaration of absence of dangerous substances

The manufacturer declares that its products and appliances have been manufactured with materials which comply with the restrictions established by the health and environment protection regulations in force and do not contain SVHC-classified substances (Substance of Very High Concern) in compliance with CE regulation 1907/2006 (REACH: i.e. Registration, Evaluation, Authorization and Restriction of Chemical Substances). Although these substances have not been used during the processing cycles of raw materials and during the manufacturing cycles of our products, their presence in p.p.m. (parts per million) cannot be completely excluded due to micro-pollution of raw materials.

## 4.5 Fixed closure guards safety

The vacuum cleaner is delivered to the Customer with its main body completely assembled. Moving parts (suction motor turbine blades) are protected by a protection grid directly assembled on the inlet of the suction motor compartment. This protection grid cannot be accessed by the operator. The operator also does not have access to the electrically-operated parts of the appliance which are protected by a cover which can only be removed by unscrewing the Torsen screws used to fix the soundproofing dome of the housing where the suction motors are assembled.

Every intervention on the control board and on the motors must be carried out by qualified personnel only after disconnecting the electrical power supply and by removing the electric plug from the electric socket.

## 4.6 Movable closure guards safety

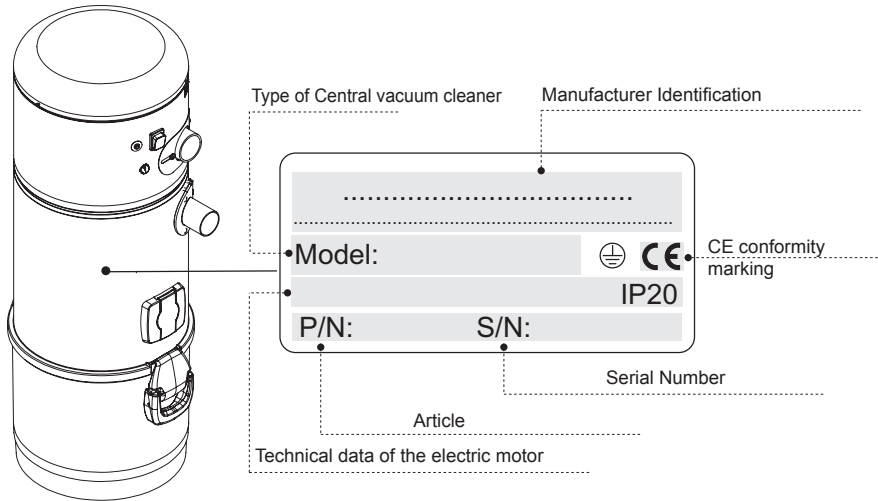
There are no movable closure guards assembled on the appliance. Every guard assembled is considered a fixed guard and is fastened with special screws. The manufacturer reminds you that it is absolutely forbidden to replace the screws used for the design and manufacture of the appliances with screws that feature different characteristics.

The manufacturer will immediately suspend the product guarantee in case of machine tampering carried out by the Customer.



#### 4.7 Identification plate

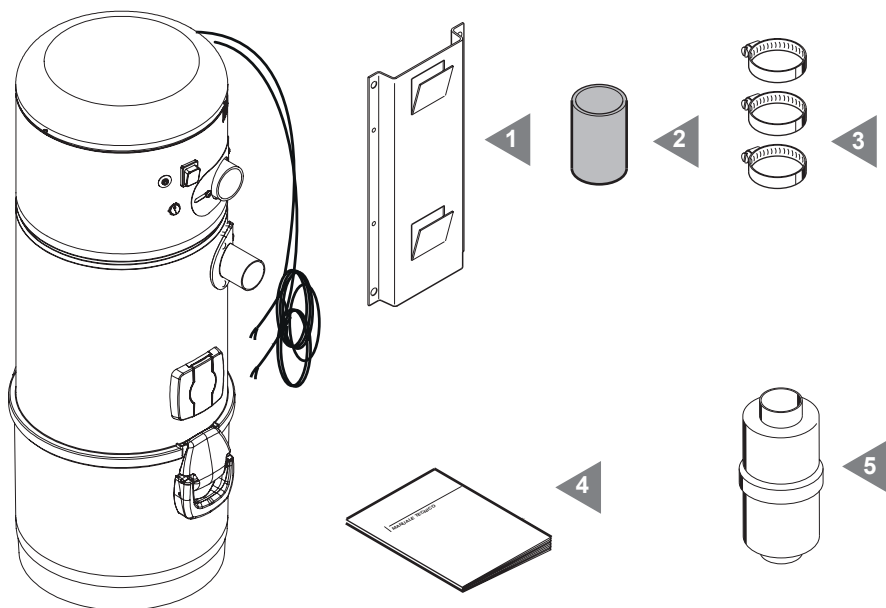
The CE identification plate is assembled on the side of the connection to the piping network. This should not be removed or damaged.



## 5- PACKAGE CONTENTS

The sales package of the central vacuum, in addition to the equipment and this manual, also includes the accessory kit, consisting of the following parts:

- 1) N°1 wall mounting bracket for fixing the central vacuum unit to the wall
- 2) N°1 rubber sleeves for connection to the vacuum pipe network
- 3) N°3 metal clamps for fixing the sleeves
- 4) N°1 installation, use and maintenance manual
- 5) N°1 plastic air exhaust silencer for air discharge



## 6 - INSTALLATION



**- WARNING -  
THESE PROCEDURES MUST BE CARRIED OUT  
BY QUALIFIED PERSONNEL**

### 6.1 Preliminary operations

The suction system is shipped to the customer completely assembled and packed.

Before switching the machine on, the following checks are advisable:

- Check that the packaging is intact.
- Check that the appliance has not been damaged in any way and in particular check that all the protruding parts are intact.
- Verify the correct tightening of the filter cartridge.
- Using the equipment list and the kit and accessories list, check that the equipment and the kit have been exactly and completely delivered.
- Check that the Guarantee Certificate has been provided.

If any damage or irregularity is found or if any accessory is missing, do not install the appliance and contact your Retailer.

### 6.2 Place of installation

The use of the vacuum cleaner requires a suction piping network installed by qualified personnel who has already selected the most suitable location.

Below you will find the main indications to be followed for a correct installation:

- If the appliance will be connected to a pipe network on more than one floor, we suggest you to install it in the lowest part of the building.
- Install the system in service rooms (e.g. garage or storage room) away from bad weather, dampness and excessive temperature variations.
- Choose a place far from heat sources such as stoves and radiators.
- Make sure that there is sufficient space around the system and that the surrounding area is well lit to facilitate the interventions for maintenance and repairs.

When the vacuum cleaner, for specific installation needs, is installed on the highest floors of the building with regard to the level where the pipe network is housed (attic, garret etc.), we suggest you to install a vacuum cleaner featuring a power category higher than the one needed to clean the desired surface.

For any further information, do not hesitate to contact the Manufacturer's Technical Service.

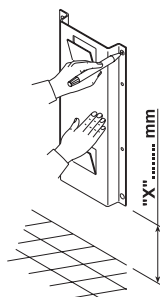
### 6.3 Fixing the vacuum cleaner to the wall

The vacuum cleaner must be securely and permanently fixed to a solid wall using the bracket provided and the suitable wall anchors or plugs taking into account that the total weight to be supported can be seven/eight times the weight of the system itself.

The system should be positioned high enough off the ground to allow the dust collection bin to be emptied and the filter to be replaced in a simple way.

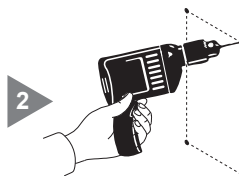
Position the system so as to keep a minimum distance of 60 cm around the appliance for extraordinary maintenance.

To do this follow the instructions detailed below:

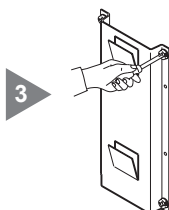


**1** Trace the drilling position using the template provided (drilling template); if this has already been done, proceed to the next step.

Drill the holes

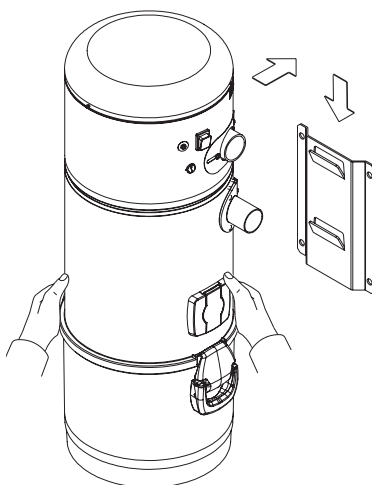


Tighten the screws in the wall plugs and check that the bracket is well anchored to the wall.



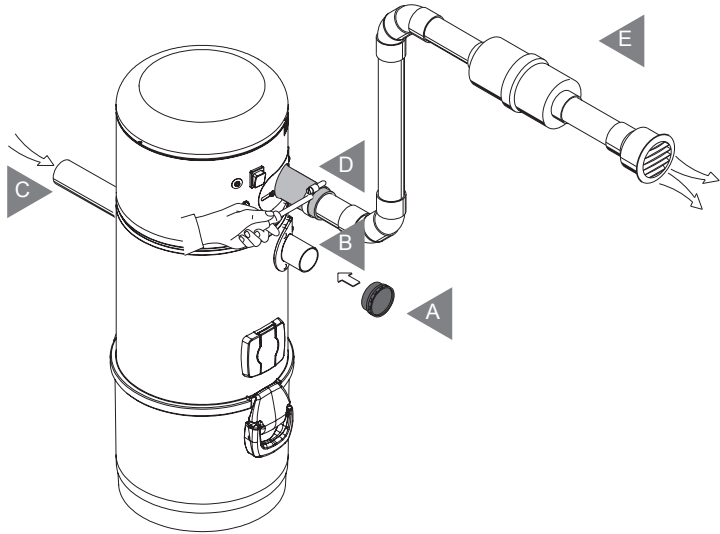
Hook the vacuum cleaner to the anchoring bracket by lifting it, leaning it against the wall and allowing it to slide down until it fits into the fixing plate.

**4**



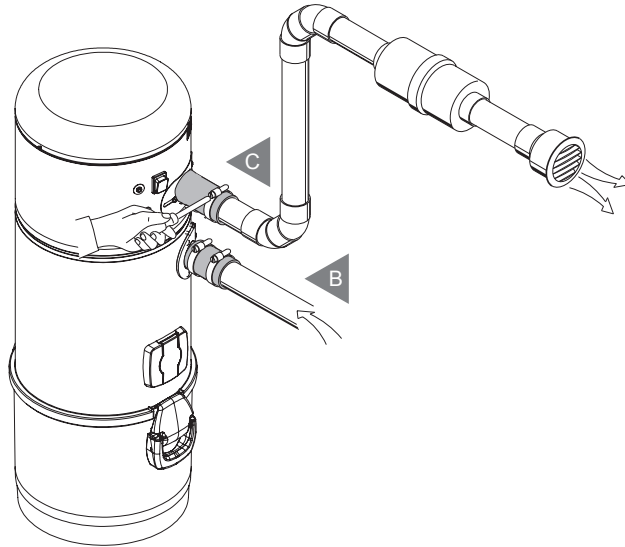
## 6.4 Connection to the piping network

1. Apply the closing cap (A) on the end of the intake connection not used for connecting the piping network (B), as opening it would decrease the central vacuum unit's vacuum power.



2. Using the sleeve, connect the dust inlet coupling of the cyclonic vacuum cleaner, identified with (C) in the picture, to the suction pipe from the piping network.
3. By using the sleeve, connect the air outlet of the central vacuum unit, marked with (D), to the air outlet of the house.
4. Glue the silencer (E) on the exhaust pipe near the exhaust air grid.

N.B.: do not glue the pipe end of the network pipe to the dust inlet coupling or to the air exhaust coupling: always use the sleeves provided.



Should it be necessary to convey the air discharge to the outside, please follow the following instructions:

Maximum length of the discharge pipe:

N.B. Diameter of the outlet pipe for a length up to 10 m:	50 mm
Exhaust pipe diameter for lengths over 10 m:	63 mm

## 6.5 Electrical connection



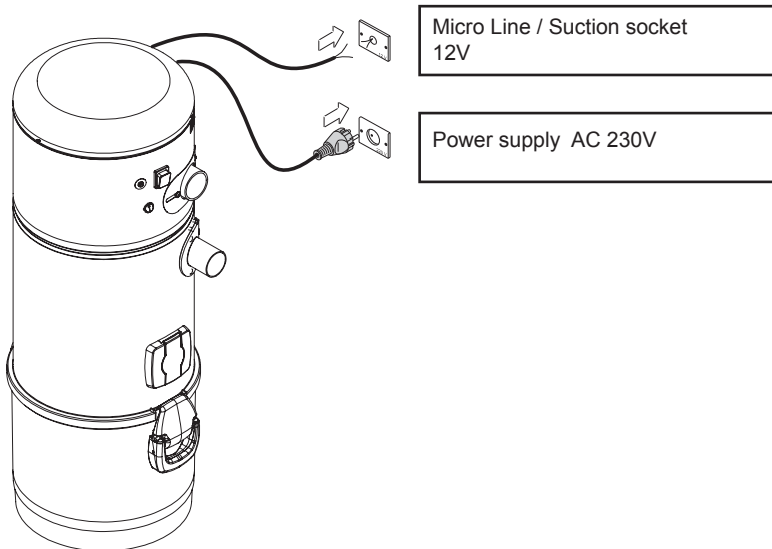
**WARNING: the electrical connection must be carried out ONLY by qualified personnel.**

Before connecting the system to the electrical power supply check that the supply voltage corresponds to the one required by the vacuum cleaner (see the identification plate).

The manufacturer declines any responsibility for damages to people and/or objects due to the connection to a non-complying electric wiring.

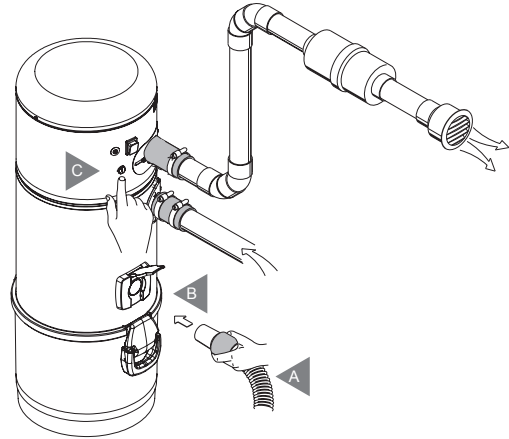
Follow the instructions (see picture) detailed below to carry out the operation:

- Connect the input signal cable (MICRO LINE) to the suction sockets.
- Insert the plug of the power supply cable from the central system in the electric socket.
- Check that the electrical wiring of the house has been set up in compliance with the electrical regulations in force.
- Do not power the system with supply voltage from provisional or temporary switchboards (for example construction sites switchboards) to avoid possible damage to the electronic parts.



## 6.6 Using the service socket

1. Insert the hose (A) directly in the service outlet (B - see the drawing), after lifting the cover.
2. Press the switch (C) on the frontal panel of the machine to start and stop suction.



## 7 - MAINTENANCE



**BEFORE CARRYING OUT ANY MAINTENANCE OPERATION, IT IS MANDATORY TO UNPLUG THE POWER SUPPLY CABLE FROM THE POWER SUPPLY INLET. PROTECTIVE MASK AND GLOVES MUST ABSOLUTELY BE WORN**

### 7.1 Programmed routine maintenance

Maintenance should be carried out according to the effective running time of the system to ensure efficient performance and to avoid serious mechanical damages.

Working time (h)	Maintenance	Executor
6	Filter cleaning	User
6	Emptying the dust container	User
every 4 years	Substitution of filter cartridge	User

### 7.2 Cleaning the suction container (cylinder)

Periodically clean the outside casing of the vacuum cleaner with a soft damp cloth with water and neutral soap.

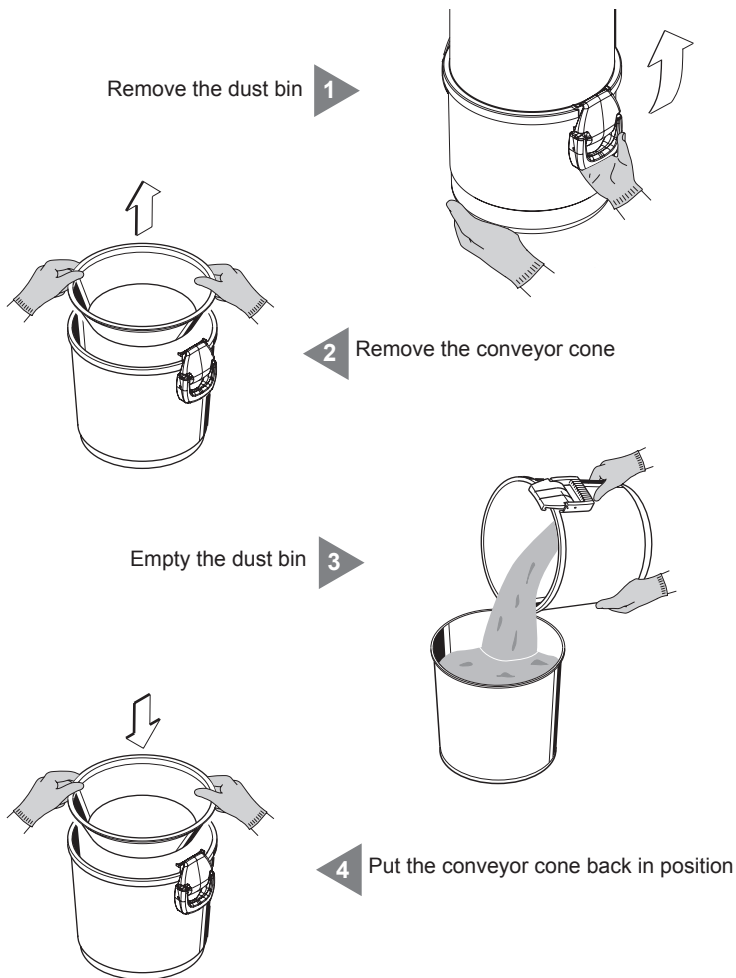
**Important: only use water or neutral soap and water to clean the vacuum cleaner. The use of other solvents or alcohol can entail damages. Ensure the system's surface is completely dry before switching it back on.**

Always use a suitable mask to protect against airborne dust and wear latex gloves to protect your hand skin.



### 7.3 Emptying the dust bin

Switch the suction system off by pressing the ON/OFF switch.



Reassemble the dust bin inside its housing under the suction system and lock the closing handles. Switch the suction system on by pressing the ON/OFF switch.

**Remember to be careful when emptying the bin: if there is a big quantity of dust, make sure you do not throw away the conveyor cone. Always check that the conveyor cone is still in place and correctly assembled in its housing inside the bin.**

## 7.4 Disposal of the filter cartridge



**ATTENTION**

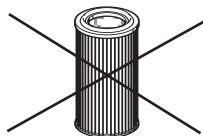
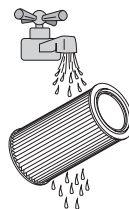
**YOU SHALL ALWAYS CHECK THE RIGHT POSITIONING AND TIGHTENING OF THE FILTER CARTRIDGE. A WRONG POSITIONING MAY CAUSE A SERIOUS DAMAGE OF THE PRODUCT.**

**DO NOT USE THE VACUUM CLEANER WITHOUT THE FILTER CARTRIDGE. ENSURE YOU HAVE REPLACED A SPARE FILTER CARTRIDGE BEFORE CARRYING OUT THIS OPERATION.**

The filter cartridge can be reused after washing it under running water.

**ATTENTION:** before replacing the filter cartridge back in the system after washing, ensure it has completely dried. **DO NOT** reassemble the filter cartridge if the surface is still wet or damp

Before washing the cartridge it is always recommended to vacuum clean the dirty surface with an auxiliary suction cleaner or with the utility/service inlet, remembering to insert a spare cartridge in the system before use. ▶ 1



▶ 2 Check that the filter surface is not cut. If this is the case, the cartridge should not be used again and should be definitely replaced.

## 8 - REPAIRS AND SPARE PARTS

### 8.1 Intervention criteria

Any intervention on the vacuum cleaner for repairs and/or maintenance which are not expressly authorized in this manual is absolutely forbidden.

Any repair for breakage or malfunctioning must be carried out by qualified Technical Assistance personnel. Any intervention of non-authorized personnel will result in the invalidation of any guarantee of the product and the manufacturer will not be held responsible for any eventual damage to persons and/or objects due to such interventions.

### 8.2 Recommended spare parts

It is advisable to order in time those spare parts which need to be changed more often.

In order to guarantee the optimal and long working life of the vacuum cleaner it is recommended to use only original spare parts

## 9 THERMAL SWITCH

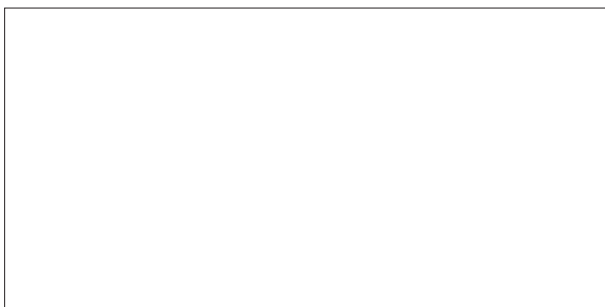
The thermal switch prevents damages to the electric and electronic parts from power overloads and from short-circuits. The switch button is located inside its lodging during the regular functioning of the machine, while in case of activated protection it will be out of its lodging. The reactivation of the switch must be done manually by pushing the button back into its lodging. This operation will be effective only if the cause of the blocking has been fixed. If the blocking occurs regularly, it is advisable to let a specialized technician verify the correct functioning of the machine.

## 10 - TROUBLE SHOOTING

PROBLEM	CAUSE	SOLUTION
There is no suction from any of the suction sockets	The power cable is unplugged	Connect the power cable
	The start button is on OFF position	Press the Start button
	The micro line cable is not connected	Connect the activation cable (sensor)
	The thermal protection of the motor has intervened	Allow a few minutes stop for the motor to cool down
	The thermal switch has intervened	Press the restart button on the thermal switch
There is no air suction from just one suction socket	The electric contacts are interrupted or the micro-switch of the suction socket is out of order	Call the Technical Service
The air suction is weak	More than one suction socket is being used at the same time and/or the service suction socket is working	Use only one suction inlet at a time
	The flexible hose or the cleaning accessories are broken	Check the flexible hose and the accessories are not damaged (change them if necessary)
	The filter cartridge is dirty	Clean the filter cartridge
	The sealing gasket of the dust bin is damaged	Check sealing gasket integrity
	There is a clogging in the suction pipes of the pipe network	Call the Technical Service
	The air exhaust outlet is blocked	Call the Technical Service
The vacuum cleaner still works even when the suction inlets are closed	Fault of the electronic board	Call the Technical Service
The suction works intermittently with the hose inserted in the inlet.	The thermal protection of the motor has intervened	Check for a possible clogging in the piping network
		Check for a possible clogging in the air discharge pipe
		Remove the hose from the suction inlet and wait a couple of minutes to let the motor cool down
		Call the Technical Service



36031 Dueville (VI) ITALIA - Via Prati, 11  
Tel. + 39 0444 1803418 - [info@stakorr.it](mailto:info@stakorr.it)



F0920620